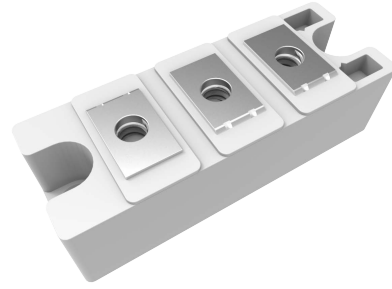


Mechanical Data

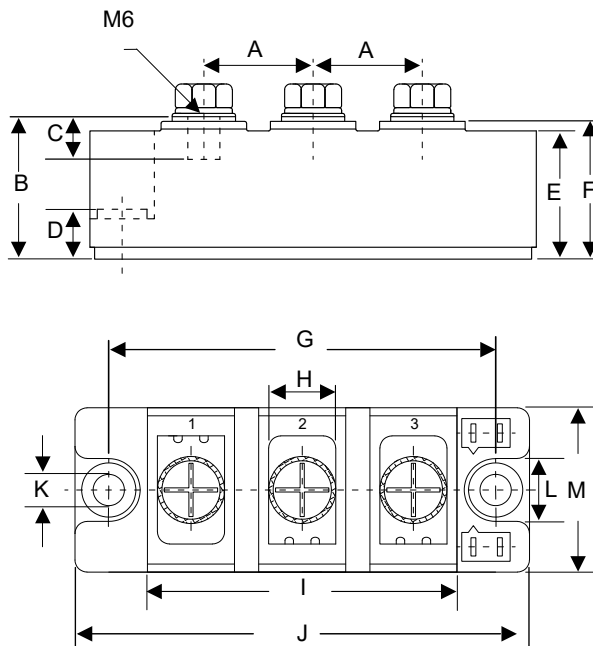
Package 3D Photo

- Weight: 160.0000 grams (Approximate)
- Halogen Free Available Upon Request By Adding Suffix "-HF"
- Lead Free Finish/RoHS Compliant (Note1) ("P" Suffix Designates RoHS Compliant. See Ordering Information)



Note: 1. High Temperature Solder Exemption Applied, see EU Directive Annex 7a.

Package Outline Dimensions



DIMENSIONS					
DIM	INCHES		MM		NOTE
	MIN	MAX	MIN	MAX	
A	0.886	0.925	22.50	23.50	
B	1.161	1.201	29.50	30.50	
C	0.335	0.374	8.50	9.50	
D	0.315	0.350	8.00	8.90	
E	1.043	1.083	26.50	27.50	
F	1.122	1.161	28.50	29.50	
G	3.130	3.169	79.50	80.50	
H	0.492	0.531	12.50	13.50	
I	2.500	2.539	63.50	64.50	
J	3.681	3.720	93.50	94.50	
K	0.256		6.50		Φ
L	0.492	0.531	12.50	13.50	
M	1.319	1.358	33.50	34.50	

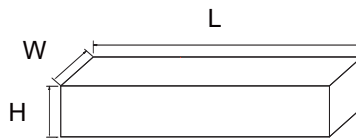
Packing Quantity

Package	Package Type	Minimum Packing Quantity	Carton Quantity
F2	Box	8	80

Note 1: These are minimum package quantities only. Minimum orders will differ. Contact the factory for more information on minimum order quantities.

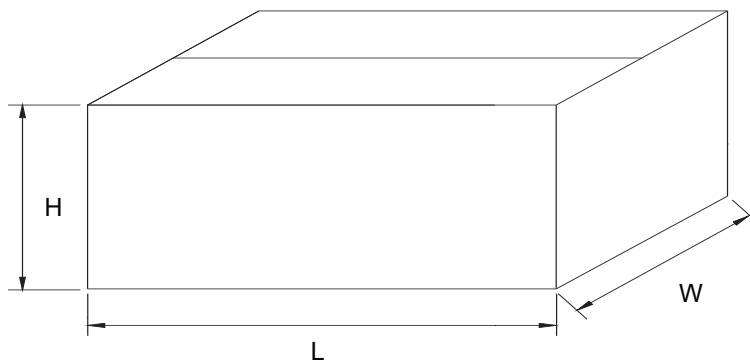
Dimensions

Inbox Size



Description	Dimension	Specification(mm typical)
Length	L	302
Width	W	268
Height	H	53

Carton Size



Description	Dimension	Specification(mm typical)
Length	L	555
Width	W	310
Height	H	280