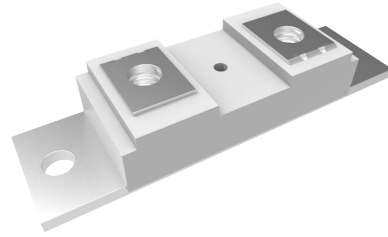


Mechanical Data

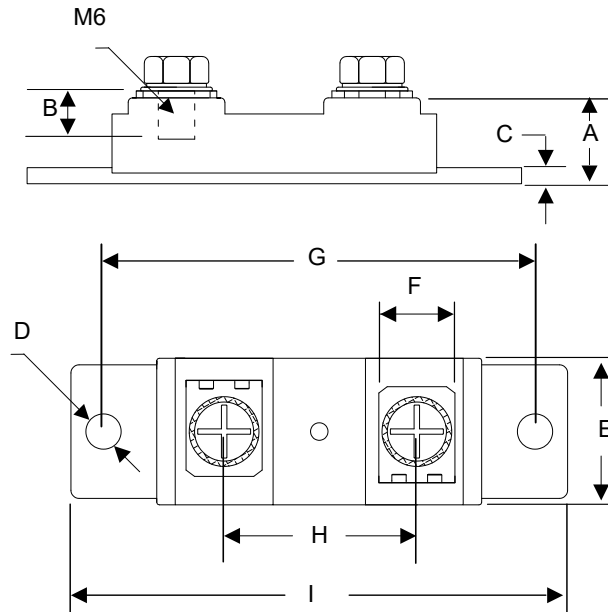
Package 3D Photo

- Weight: 84.0000 grams (Approximate)
- Halogen Free Available Upon Request By Adding Suffix "-HF"
- Lead Free Finish/RoHS Compliant (Note1) ("P" Suffix Designates RoHS Compliant. See Ordering Information)



Note: 1. High Temperature Solder Exemption Applied, see EU Directive Annex 7a.

Package Outline Dimensions



DIMENSIONS					
DIM	INCHES		MM		NOTE
	MIN	MAX	MIN	MAX	
A	0.618	0.642	15.50	16.50	
B	0.343	0.366	8.50	9.50	
C	0.118	0.130	2.80	3.50	
D	0.256		6.50		Φ
E	1.051	1.075	26.50	27.50	
F	0.539	0.563	13.50	14.50	
G	3.138	3.161	79.50	80.50	
H	1.366	1.390	34.50	35.50	
I	3.610	3.634	91.50	92.50	

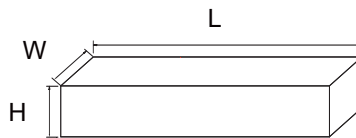
Packing Quantity

Package	Package Type	Minimum Packing Quantity	Carton Quantity
F3	Box	10	100

Note 1: These are minimum package quantities only. Minimum orders will differ. Contact the factory for more information on minimum order quantities.

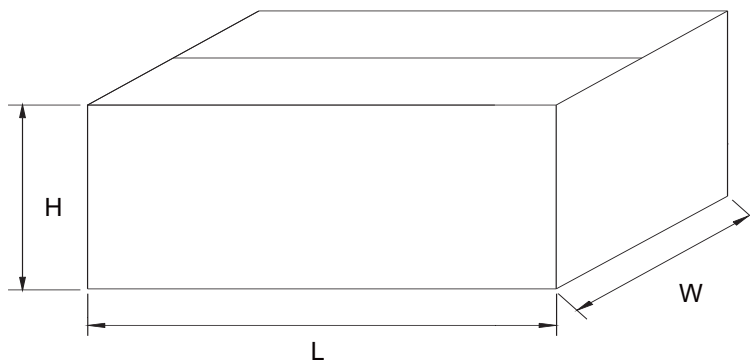
Dimensions

Inbox Size



Description	Dimension	Specification(mm typical)
Length	L	302
Width	W	268
Height	H	53

Carton Size



Description	Dimension	Specification(mm typical)
Length	L	555
Width	W	310
Height	H	280