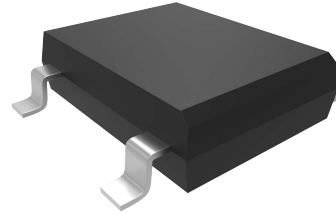


## Mechanical Data

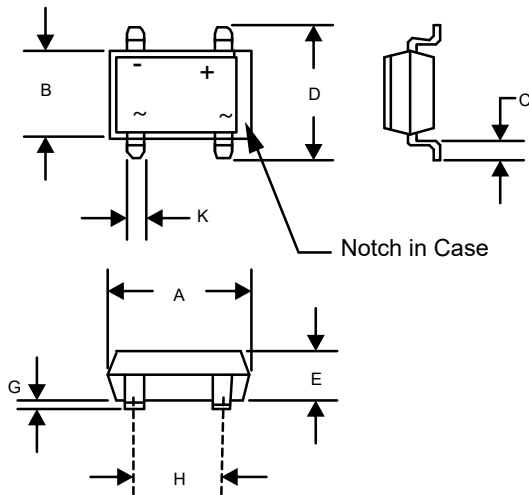
- Surface Mount Package
- Weight: 0.3470 grams (Approximate)
- Moisture Sensitivity Level 1
- Halogen Free. "Green" Device (Note 1)
- Epoxy Meets UL 94 V-0 Flammability Rating
- Lead Free Finish/RoHS Compliant (Note2) ("P" Suffix Designates RoHS Compliant. See Ordering Information)

Note:1. free "Green" products are defined as those which contain <900ppm bromine, <900ppm chlorine (<1500ppm total Br + Cl) and <1000ppm antimony compounds.  
2. High Temperature Solder Exemption Applied, see EU Directive Annex 7a.

## Package 3D Photo

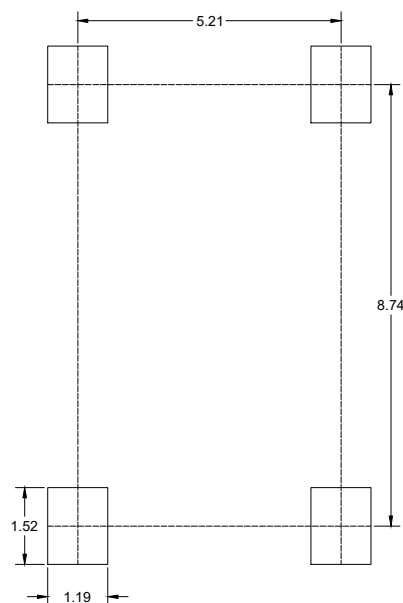


## Package Outline Dimensions



DIM	DIMENSIONS				NOTE
	INCHES		MM		
	MIN	MAX	MIN	MAX	
A	0.316	0.335	8.05	8.51	
B	0.245	0.255	6.20	6.50	
C	0.040	0.060	1.02	1.50	
D	0.360	0.410	9.40	10.40	
E	0.102	0.130	2.60	3.30	
G	0.003	0.013	0.076	0.33	
H	0.195	0.205	5.00	5.20	
K	0.038	0.047	1.00	1.20	

## Suggested Solder Pad Layout



Unit:mm

**Notes:**

- 1.The suggested land pattern dimensions have been provided for reference only.
- 2.For further information,please reference document IPC-7351A.

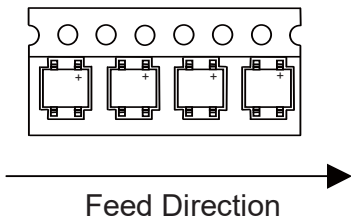
### Packing Quantity

Package	Tape Width (mm)	Reel Size (inch)	Reel Quantity	Carton Quantity
SDB-1	16	13	1500	21K

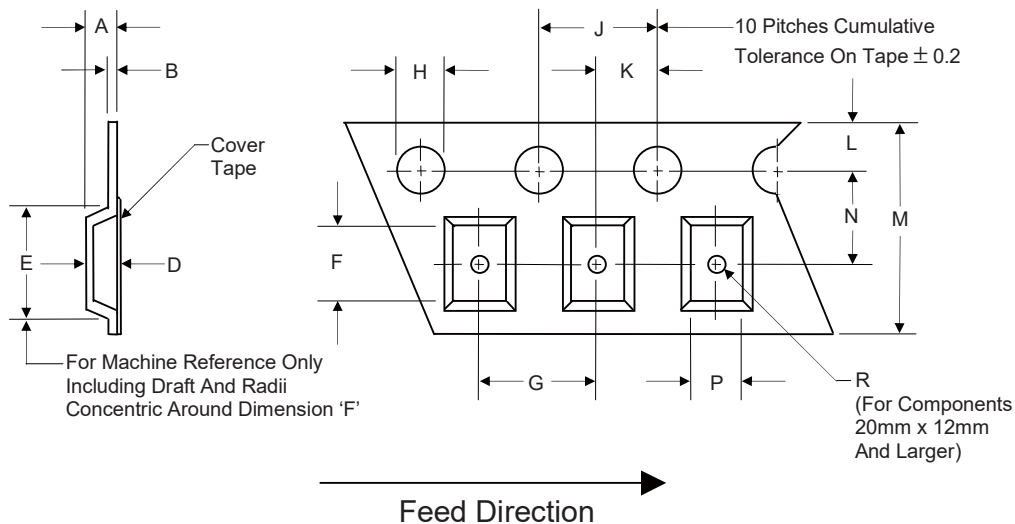
Note 1: These are minimum package quantities only. Minimum orders will differ. Contact the factory for more information on minimum order quantities.

Note 2: MCC Tape&reel products meets EIA-481 REV D specification.

### Device Tape Orientation

Package	Tape Width (mm)	Tape Orientation
SDB-1	16	

### Embossed Carrier Tape Specifications

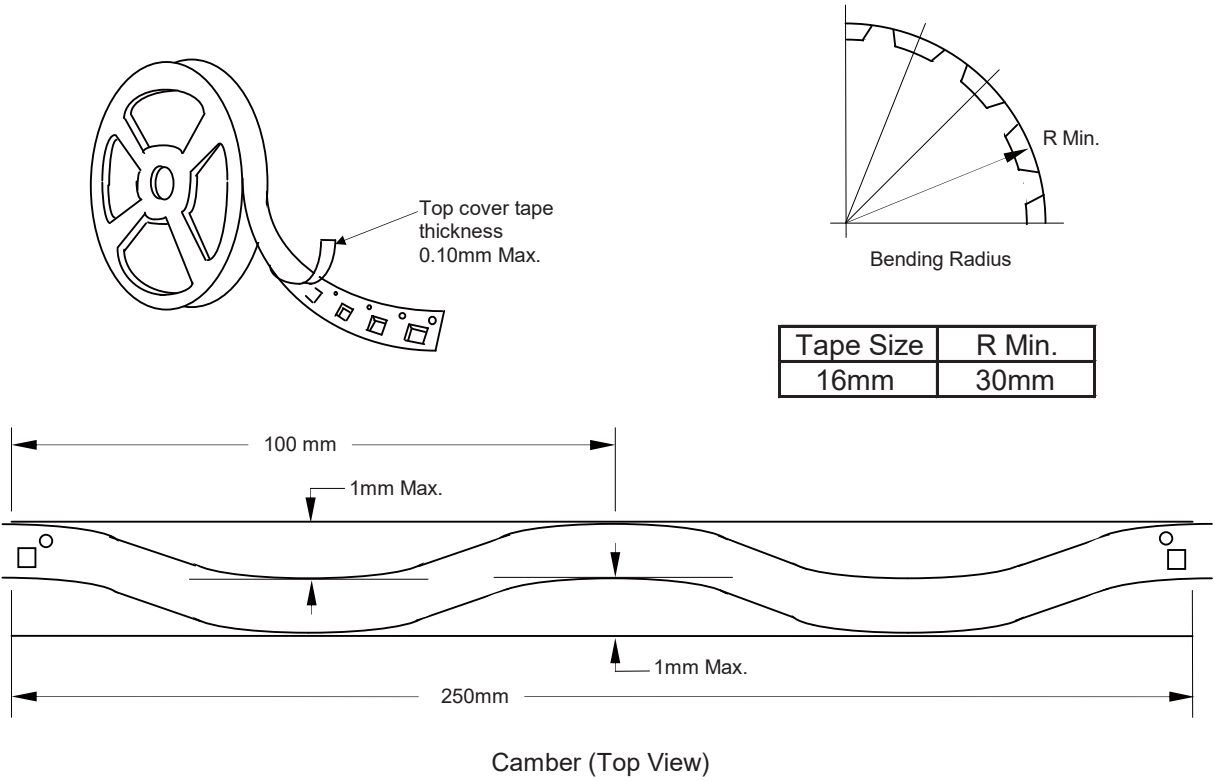


Tape Width	H	L	J	B	D	F	P
16mm	1.5	1.75	4.0	0.6	See Note 3		
(Tolerance)	+0.1/-0	±0.1	±0.1	Max			

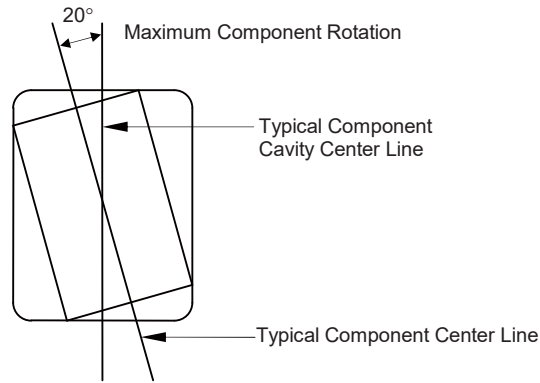
Tape Width	E	R	N	A	K	M	G
16mm	12.1	1.5	7.5	6.5	2.0	16.0	12.0
(Tolerance)	Max	Min	± 0.10	Max	± 0.10	± 0.3	± 0.1

Note 3: D,E,F are determined by constant size. The clearance between the part and the tape cavity must be within 0.05mm min. to 0.90mm max. for 16mm tape.

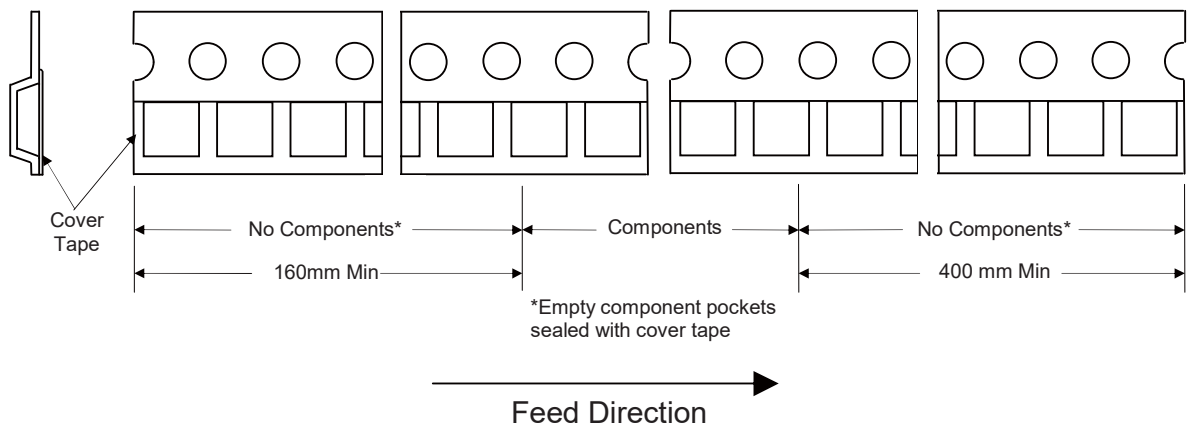
## Embossed Carrier Tape Specifications



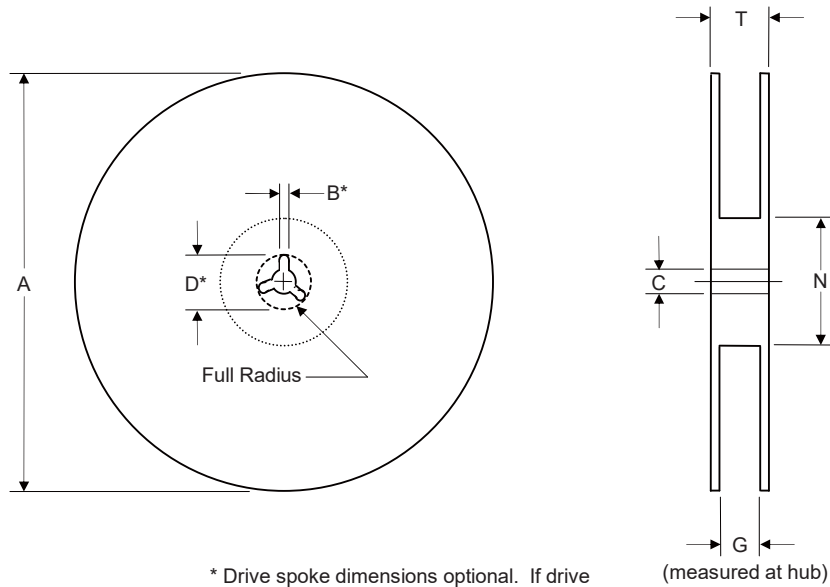
Allowable camber to be 1mm/100mm non-accumulative over 250mm



## Start and Finish Specification



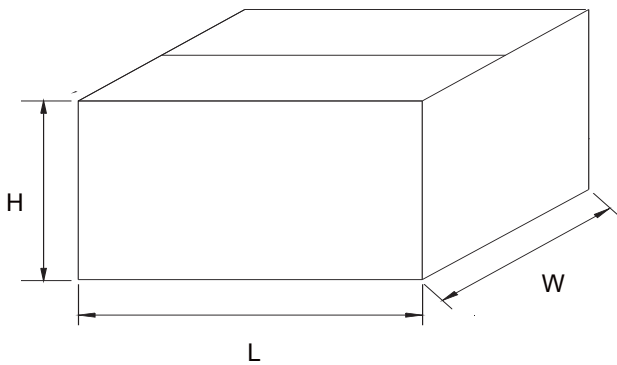
## Surface Mount Reel Specifications



Tape Width	A	B	C	D	N	G	T
16mm	360	1.5	13.0	20.2	55	16.4	22.4
(Tolerance)	Max	Min	±0.2	Min	Min	+2.0	Max

## Dimensions

### Carton Size



Description	Dimension	Specification(mm typical)
Length	L	355
Width	W	345
Height	H	315

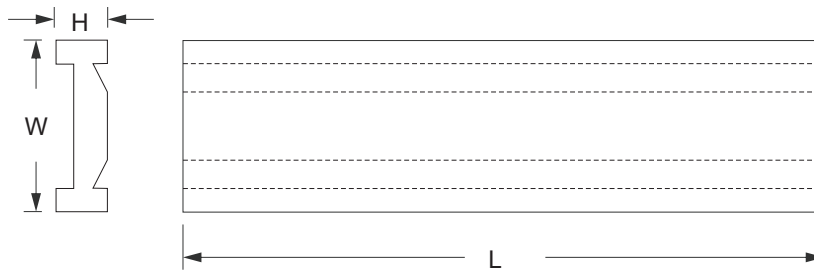
## Packing Quantity

Package	Package Type	Tube Quantity	Box Quantity	Carton Quantity
SDB-1	Tube	50	5000	20000

Note 1: These are minimum package quantities only. Minimum orders will differ. Contact the factory for more information on minimum order quantities.

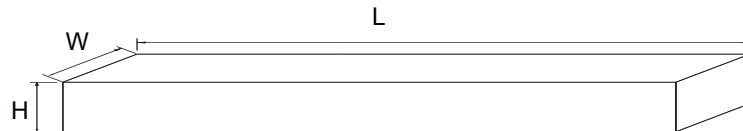
## Dimensions

### Tube Size



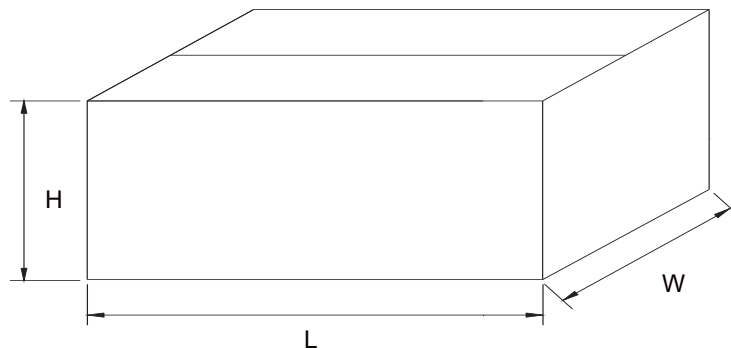
Description	Dimension	Specification(mm typical)
Length	L	445
Width	W	12.4
Height	H	5.5

### Inbox Size



Description	Dimension	Specification(mm typical)
Length	L	462
Width	W	130
Height	H	62

### Carton Size



Description	Dimension	Specification(mm typical)
Length	L	475
Width	W	280
Height	H	155