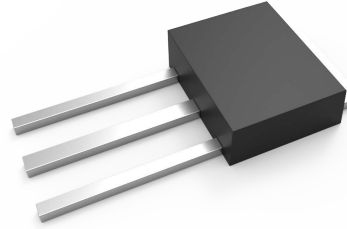


Mechanical Data

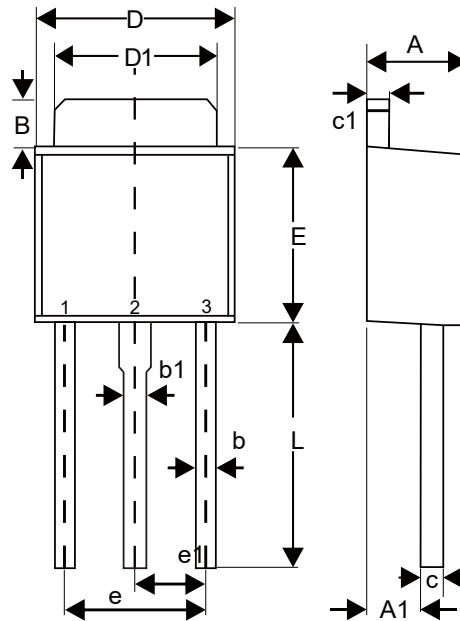
- Weight: 0.3560 grams (Approximate)
- Halogen Free Available Upon Request By Adding Suffix "-HF"
- Epoxy Meets UL 94 V-0 Flammability Rating
- Lead Free Finish/RoHS Compliant (Note1) ("P" Suffix Designates RoHS Compliant. See Ordering Information)

Package 3D Photo



Note: 1. High Temperature Solder Exemption Applied, see EU Directive Annex 7a.

Package Outline Dimensions



DIM	DIMENSIONS				NOTE
	INCHES		MM		
	MIN	MAX	MIN	MAX	
A	0.087	0.094	2.20	2.40	
A1	0.042	0.054	1.05	1.35	
B	0.053	0.065	1.35	1.65	
b	0.020	0.028	0.50	0.70	
b1	0.028	0.035	0.70	0.90	
c	0.017	0.023	0.43	0.58	
c1	0.017	0.023	0.43	0.58	
D	0.250	0.262	6.35	6.65	
D1	0.205	0.213	5.20	5.40	
E	0.213	0.224	5.40	5.70	
e1	0.091		2.300		TYP.
e	0.177	0.185	4.50	4.70	
L	0.295	0.311	7.50	7.90	

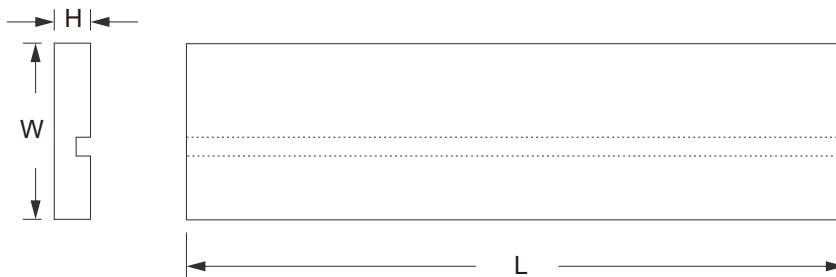
Packing Quantity

Package	Package Type	Tube Quantity	Box Quantity	Carton Quantity
TO-251	Tube	80	4000	20000

Note 1: These are minimum package quantities only. Minimum orders will differ. Contact the factory for more information on minimum order quantities.

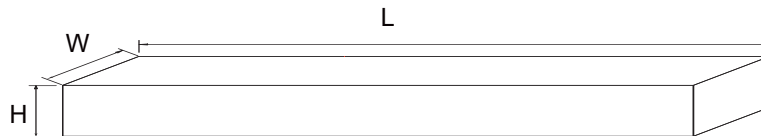
Dimensions

Tube Size



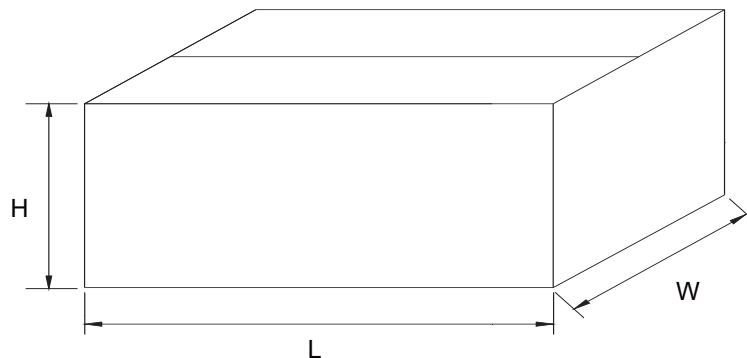
Description	Dimension	Specification(mm typical)
Length	L	540
Width	W	20
Height	H	5

Inbox Size



Description	Dimension	Specification(mm typical)
Length	L	565
Width	W	160
Height	H	55

Carton Size



Description	Dimension	Specification(mm typical)
Length	L	590
Width	W	310
Height	H	180