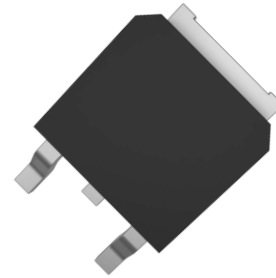


**Mechanical Data**

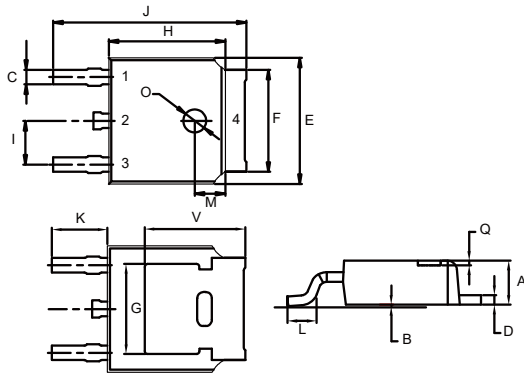
- Surface Mount Package
- Weight: 0.3250 grams (Approximate)
- Moisture Sensitivity Level 1
- Halogen Free Available Upon Request By Adding Suffix "-HF"
- Epoxy Meets UL 94 V-0 Flammability Rating
- Lead Free Finish/RoHS Compliant (Note1) ("P" Suffix Designates RoHS Compliant. See Ordering Information)

Note: 1. High Temperature Solder Exemption Applied, see EU Directive Annex 7a.

**Package 3D Photo**



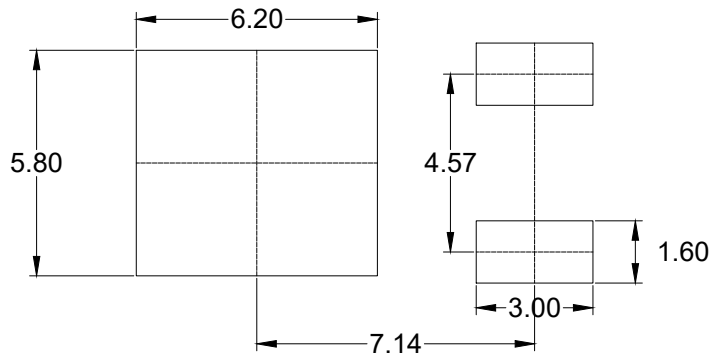
**Package Outline Dimensions**



DIM	DIMENSIONS				NOTE
	INCHES		MM		
	MIN	MAX	MIN	MAX	
A	0.087	0.094	2.20	2.40	
B	0.000	0.005	0.00	0.13	
C	0.026	0.034	0.66	0.86	
D	0.018	0.023	0.46	0.58	
E	0.256	0.264	6.50	6.70	
F	0.201	0.215	5.10	5.46	
G	0.190		4.83		TYP.
H	0.236	0.244	6.00	6.20	
I	0.086	0.094	2.18	2.39	
J	0.386	0.409	9.80	10.40	
K	0.114		2.90		TYP.
L	0.055	0.067	1.40	1.70	
M	0.063		1.60		TYP.
O	0.043	0.051	1.10	1.30	
Q	0.000	0.012	0.00	0.30	
V	0.211		5.35		TYP.

**Suggested Solder Pad Layout**

Unit:mm



Notes:

- 1.The suggested land pattern dimensions have been provided for reference only.
- 2.For further information,please reference document IPC-7351A.

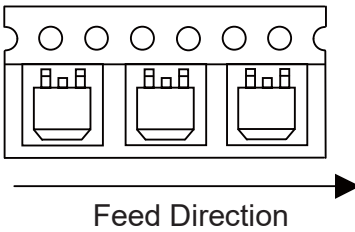
**Packing Quantity**

Package	Tape Width (mm)	Reel Size (inch)	Reel Quantity	BOX Quantity	Carton Quantity
TO-252/DPAK	16	13	2500	5K	25K

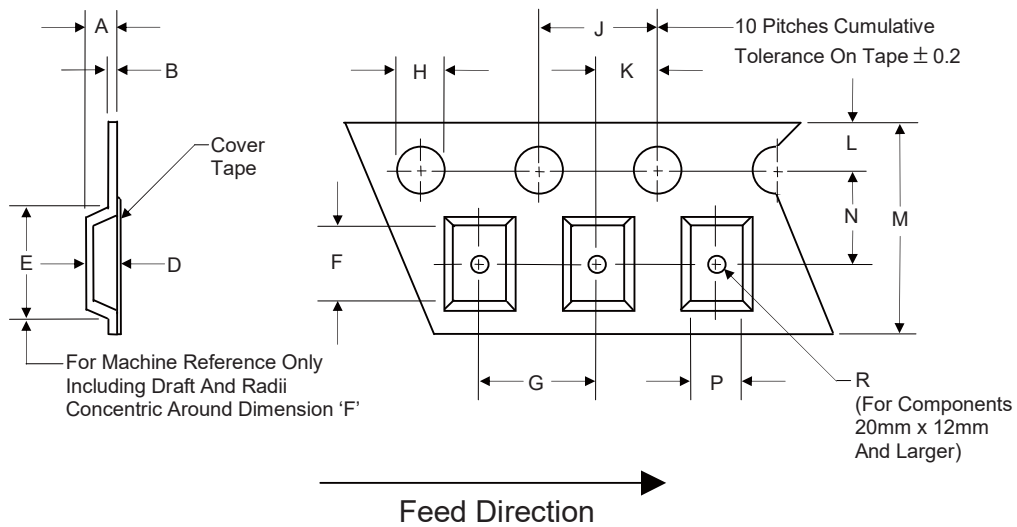
Note 1: These are minimum package quantities only. Minimum orders will differ. Contact the factory for more information on minimum order quantities.

Note 2: MCC Tape&reel products meets EIA-481 REV D specification.

**Device Tape Orientation**

Package	Tape Width (mm)	Tape Orientation
TO-252/DPAK	16	

**Embossed Carrier Tape Specifications**



Tape Width	H	L	J	B	D	F	P
16mm	1.5	1.75	4.0	0.6	See Note 3		
(Tolerance)	+0.1/-0	±0.1	±0.1	Max			

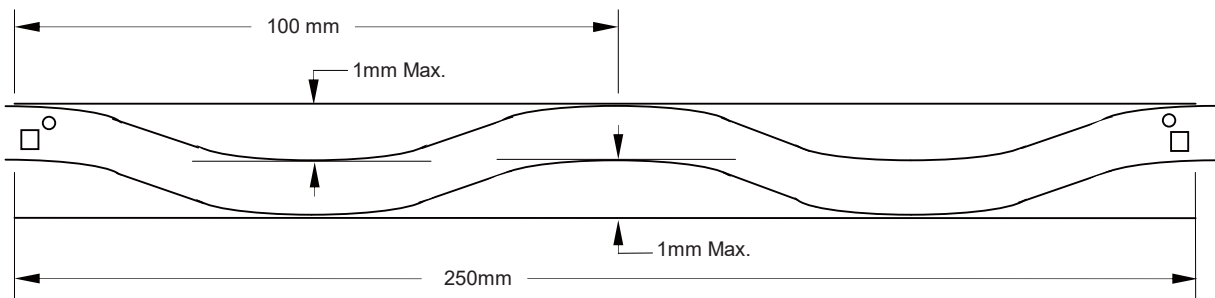
Tape Width	E	R	N	A	K	M	G
16mm	12.1	1.5	7.5	6.5	2.0	16.0	8.0
(Tolerance)	Max	Min	±0.10	Max	±0.10	±0.3	±0.1

Note 3: D,E,F are determined by constant size. The clearance between the part and the tape cavity must be within 0.05mm min. to 0.90mm max. for 16mm tape.

## Embossed Carrier Tape Specifications

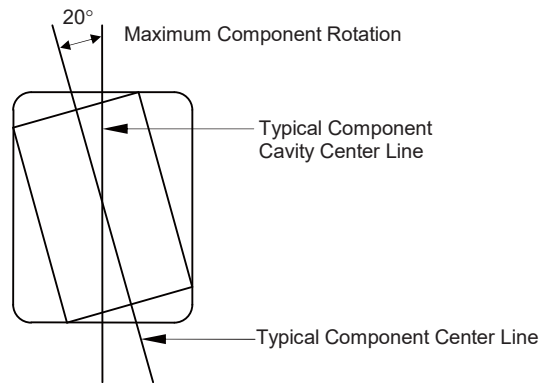


Tape Size	R Min.
16mm	30mm

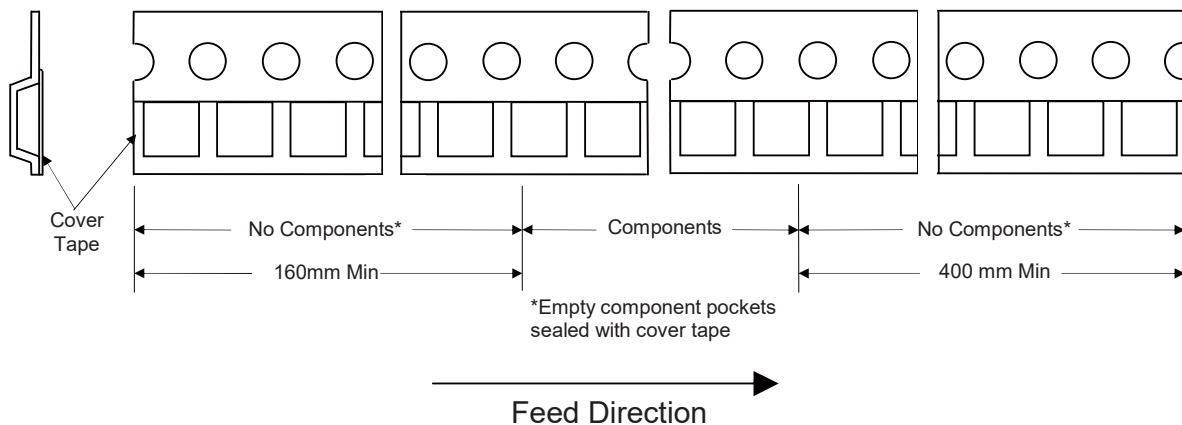


Camber (Top View)

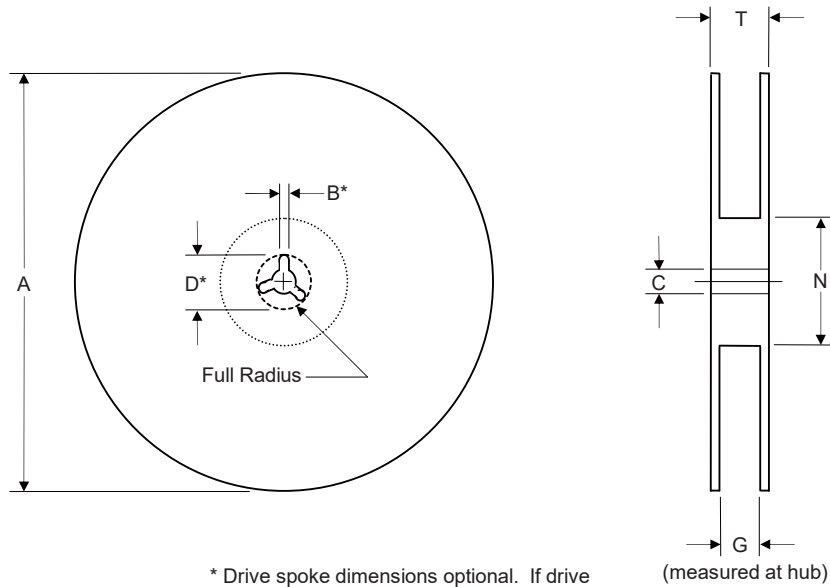
Allowable camber to be 1mm/100mm non-accumulative over 250mm



## Start and Finish Specification



## Surface Mount Reel Specifications

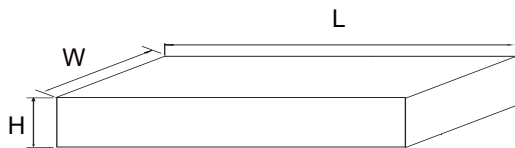


\* Drive spoke dimensions optional. If drive spoke is used then asterisked dimensions apply.

Tape Width	A	B	C	D	N	G	T
16mm	360	1.5	13.0	20.2	55	16.4	22.4
(Tolerance)	Max	Min	±0.2	Min	Min	+2.0	Max

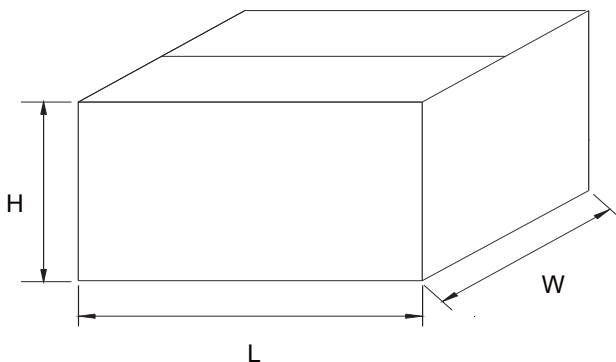
## Dimensions

### Inbox Size



Description	Dimension	Specification(mm typical)
Length	L	370
Width	W	345
Height	H	55

### Carton Size



Description	Dimension	Specification(mm typical)
Length	L	385
Width	W	365
Height	H	315

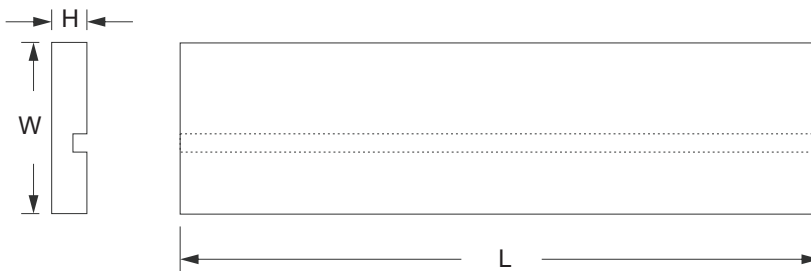
### Packing Quantity

Package	Package Type	Tube Quantity	Box Quantity	Carton Quantity
TO-252/DPAK	Tube	80	4000	20000

Note 1: These are minimum package quantities only. Minimum orders will differ. Contact the factory for more information on minimum order quantities.

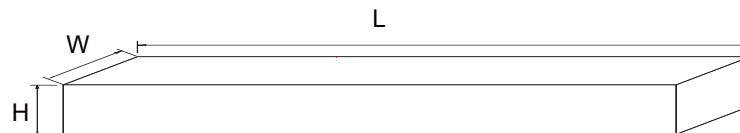
### Dimensions

#### Tube Size



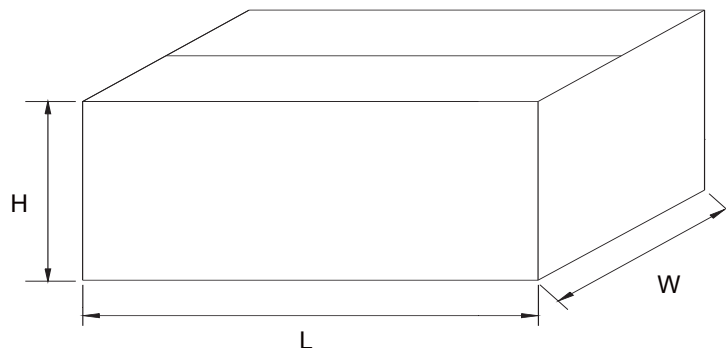
Description	Dimension	Specification(mm typical)
Length	L	540
Width	W	20
Height	H	5

#### Inbox Size



Description	Dimension	Specification(mm typical)
Length	L	565
Width	W	160
Height	H	55

#### Carton Size



Description	Dimension	Specification(mm typical)
Length	L	590
Width	W	310
Height	H	180